

Automatic Control Ball Valves

BF, BFH, BH, BO, BP, BV Series

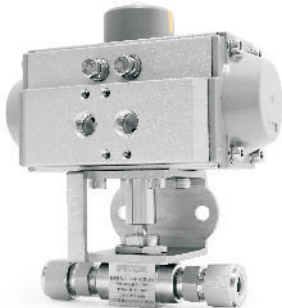
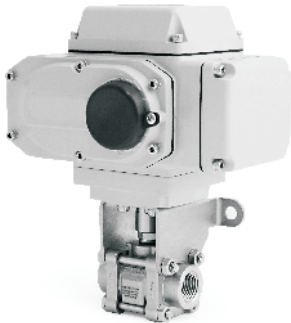


FITOK

www.fitokgroup.com

Contents

Automatic Control Ball Valves

Pneumatic Actuated Ball Valves 	Features	01
	Product Range	01
	Pneumatic Actuator Operating Conditions	02
	Pneumatic Actuator Operating Principle	02
	Ordering Information	03
	Pneumatic Actuated Ball Valve Dimensions	05
	Pneumatic Actuator Dimensions	07
	PBK Mounting Kit Dimensions	08
	Accessories	08
	Electric Actuated Ball Valves 	Features
Product Range	09	
Electric Actuator Operating Conditions	09	
Electric Actuator Operating Principle	10	
Ordering Information	10	
Electric Actuated Ball Valve Dimensions	12	
Electric Actuator Dimensions and Technical Parameters	13	
Accessories	14	
Ordering Number Description		14
Application Questionnaire for Selection of Automatic Control Ball Valves		15

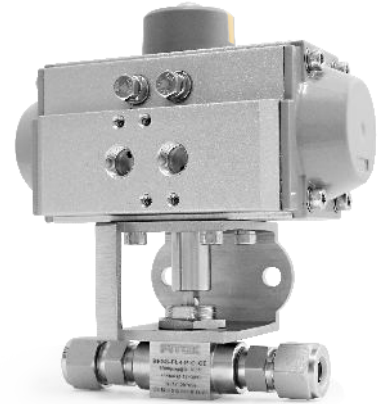
Automatic Control Ball Valves

Suitable for BF, BFH, BH, BO, BP, BV Series
Available with pneumatic and electric actuation options

Pneumatic Actuated Ball Valves

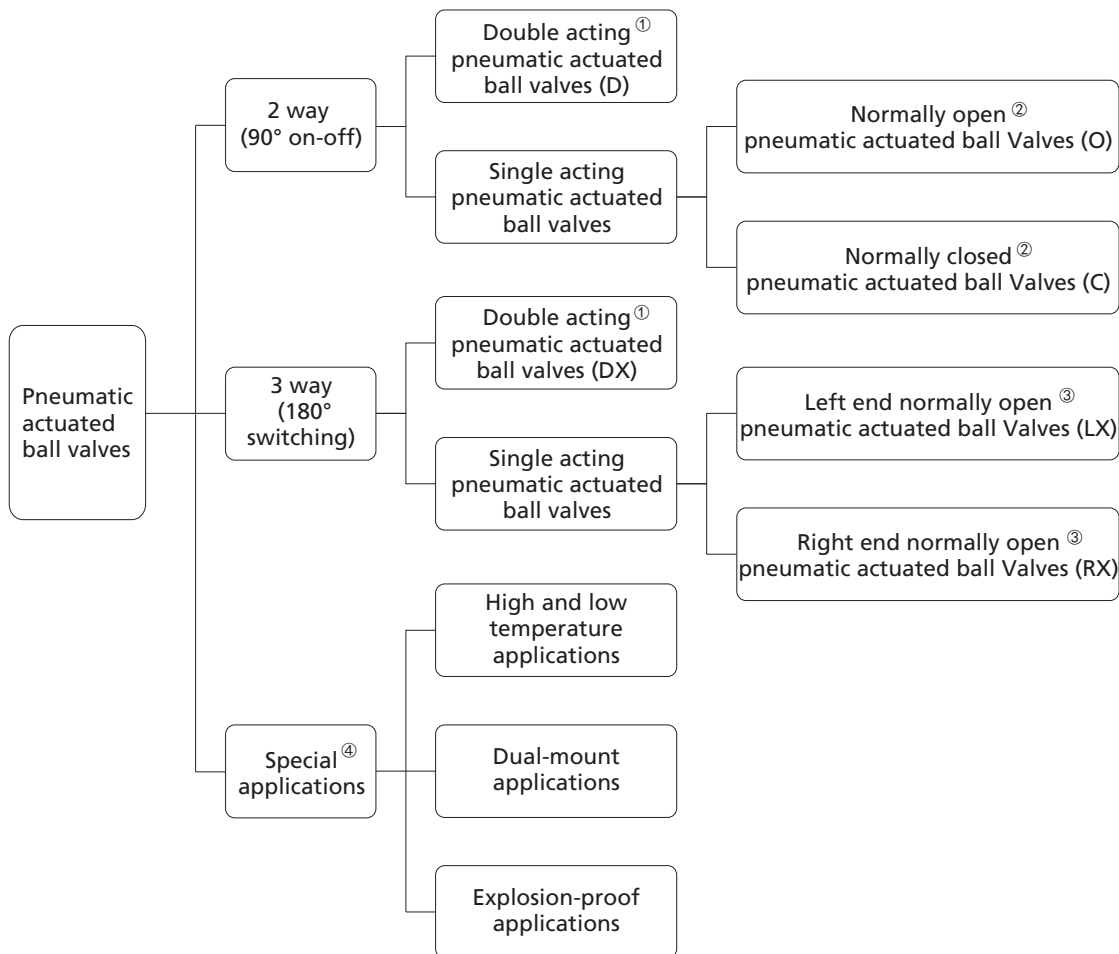
Features

- ⊙ NPS: 1/8~2
- ⊙ Medium working pressure up to: 10,000 psig (690 bar)
- ⊙ Medium temperature range: -65°F to 450°F (-54°C to 232°C)
- ⊙ Fast acting
- ⊙ Air supply pressure as low as 6 bar with low air consumption
- ⊙ Top indicator shows valve status
- ⊙ With interfaces that meet ISO 5211, NAMUR, and VDI/VDE 3845 standards
- ⊙ Available factory assembled or in kits for field assembly
- ⊙ A variety of explosion-proof products with certification available



BH series pneumatic ball valve

Product Range



- NOTES: ① Air failure will cause the valve to stay at the position where the operation is disturbed.
 ② Air failure will cause to the valve to return to the original normally open or closed state.
 ③ Air failure will cause to the valve to return to the original left end/right end normally open state.
 ④ For special applications, please contact FITOK Group or our authorized distributors.

Pneumatic Actuator Operating Conditions

1. Air source

- ⦿ dry and clean air

2. Air supply pressure

- ⦿ Recommended pressure: 6 bar
- ⦿ Maximum pressure: 8 bar
- ⦿ For other air supply pressures, contact FITOK Group or our authorized distributors

3. Working temperature

- ⦿ Working temperature of 2-way ball valve pneumatic actuator: 5°F to 176°F (-15°C to 80°C)
- ⦿ Working temperature of 3-way ball valve pneumatic actuator: -4°F to 176°F (-20°C to 80°C)
- ⦿ Please contact FITOK Group or our authorized distributors for other working temperatures

4. Lubrication

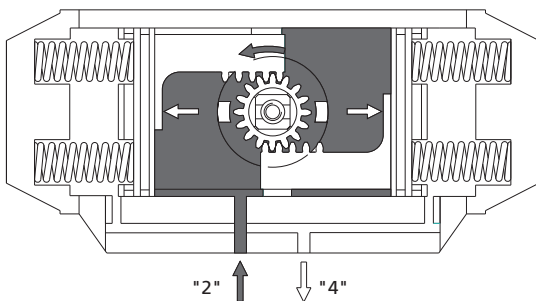
- ⦿ Factory lubricated for the life of actuator under normal working conditions

5. Installation

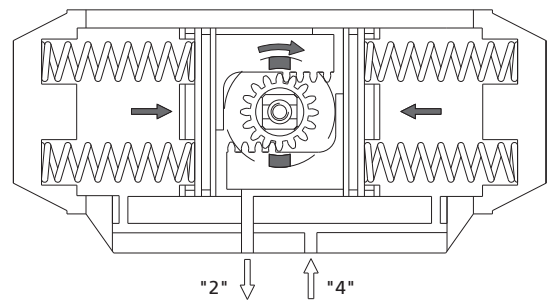
- ⦿ The actuator can be installed at any orientation indoors or outdoors

Pneumatic Actuator Operating Principle

Single Acting Actuator

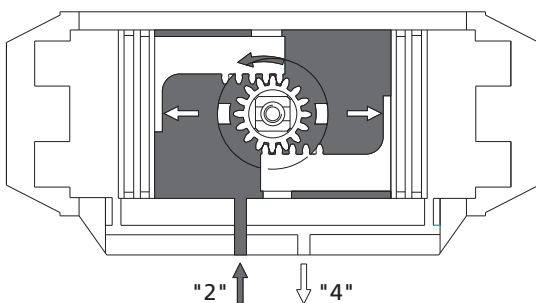


Air to port 2 forces the piston to move toward the end cap, causing the springs to compress. The pinion turns counterclockwise while air is being exhausted from port 4.

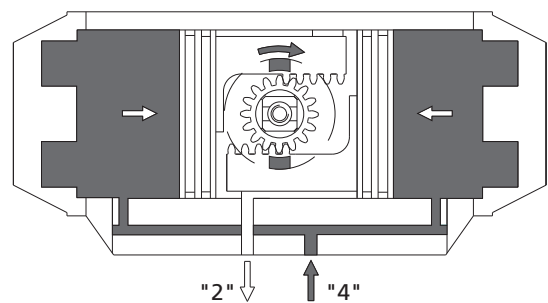


Following loss of air pressure on port 2, the stored energy in the springs forces the piston to move toward the center. The pinion turns clockwise while air is being exhausted from port 2.

Double Acting Actuator



Air to port 2 forces the piston to move toward the end cap, causing the springs to compress. The pinion turns counterclockwise while air is being exhausted from port 4.



Air to port 4 forces the piston to move toward the end cap, causing the springs to compress. The pinion turns counterclockwise while air is being exhausted from port 2.

Ordering Information

☉ Pneumatic Ball Valve

To order,

- select an applicable ball valve from *Ball Valves* catalog.
- Determine the actuator type based on the required valve state after loss of air.

2-way valves:

CS for normally closed pneumatic actuated ball valve

OS for normally open pneumatic actuated ball valve

DA for double acting pneumatic actuated ball valve

Example: BHSS-FL8-10-C

3-way valves:

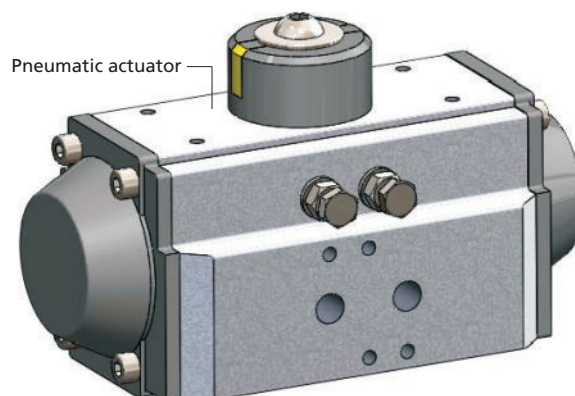
LX for left end normally open pneumatic actuated ball valve

RX for right end normally open pneumatic actuated ball valve

DX for double acting pneumatic actuated ball valve

Example: BHSS-FL8-10-DX3

Refer to *Ball Valves* catalog for more information.



☉ Pneumatic Actuator

To order, select a pneumatic actuator ordering number from **Ordering Information Table 1**, page 4.

☉ PBK Mounting Kit

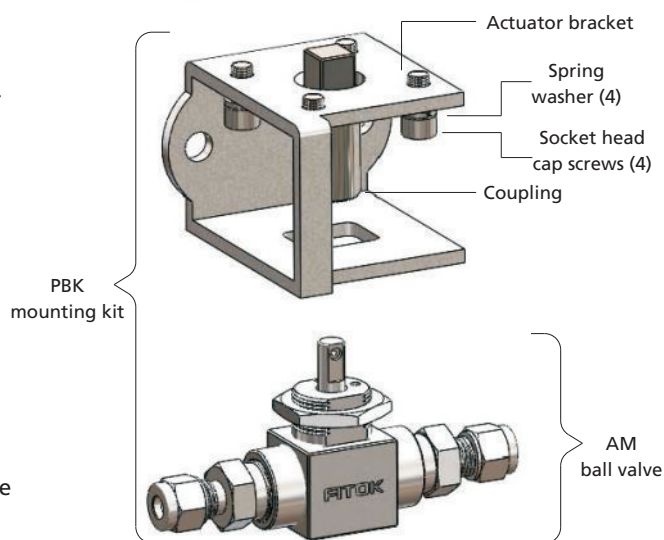
To order, select a kit ordering number from **Ordering Information Table 1**, page 4. The PBK mounting kit includes actuator bracket, coupling, AM ball valve, fastener and Installation instructions.

☉ AM Ball Valve

To order, add -AM as a suffix to the applicable ball valve ordering number

Example: BHSS-FL8-10-AM

Refer to **Ordering Information Table 1** on page 4 for additional information.



BF series pneumatic actuated ball valve (exploded view)

NOTE: The actuator assembly must be correctly aligned and supported. Incorrect alignment of the actuator assembly and improper support may cause leakage or premature valve failure.

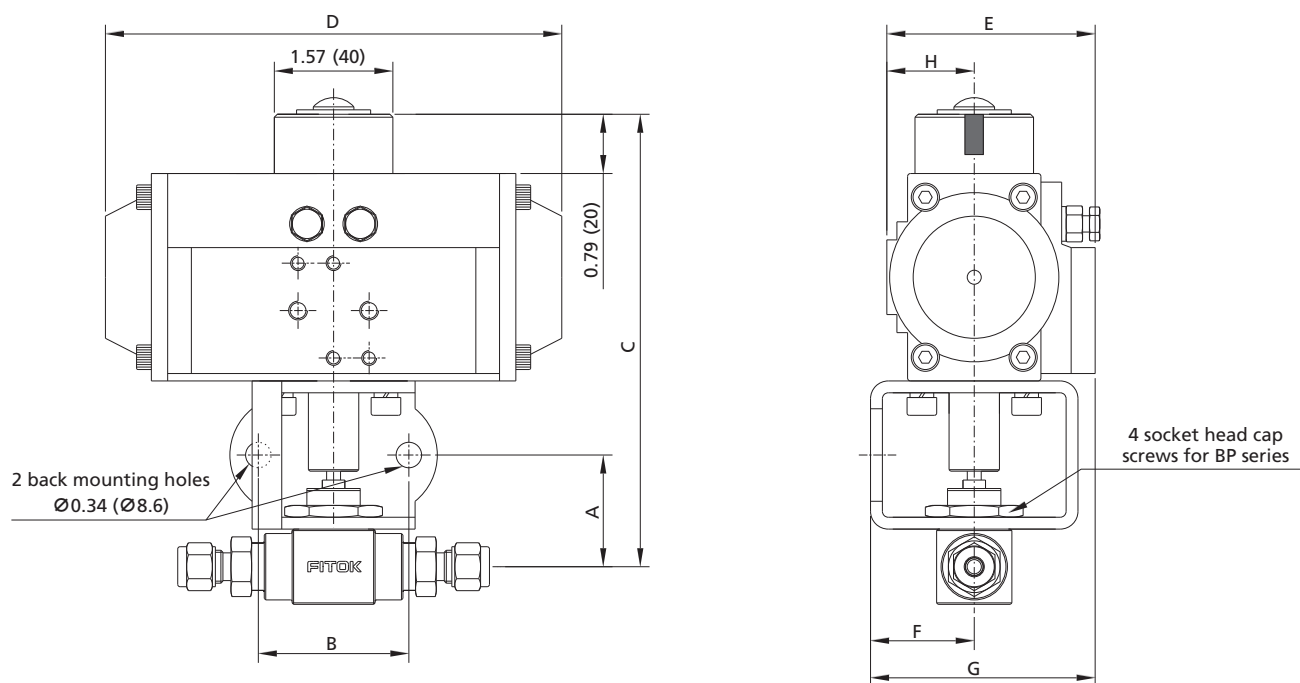
Ordering Information Table 1									
Valve Series	Diameter Code	Actuator Code		Pneumatic Actuator ^① Ordering Number		PBK Mounting Kit Ordering Number		AM Ball Valve Ordering Number	Maximum Torque (N·m) ^②
		Single Acting	Double Acting	Single Acting	Double Acting	Single Acting	Double Acting		
2-way valves									
BF	-	C/O	D	AL-S90-8	AL-D90-20	BF□□-□□-□-F05-11		BF□□-□□-□-AM	3.4
BFH	-					BFH□□-□□-□-F05-11		BFH□□-□□-□-AM	5
BH	05					BH□□-□□-□05-F03-11		BH□□-□□-□05-AM	2
	07					BH□□-□□-□07-F03-11		BH□□-□□-□07-AM	
	10					BH□□-□□-□10-F03-11		BH□□-□□-□10-AM	
	13					BH□□-□□-□13-F03-11		BH□□-□□-□13-AM	
	22			BH□□-□□-□22-F05-14		BH□□-□□-□22-AM			
BH	29			AL-S90-24	AL-D90-41	BH□□-□□-□29-F07-17		BH□□-□□-□29-AM	30
	32					BH□□-□□-□32-F07-17		BH□□-□□-□32-AM	
	38					BH□□-□□-□38-F07-17		BH□□-□□-□38-AM	
BO	00			AL-S90-8	AL-D90-20	BO□□-□□-□00-F03-11		BO□□-□□-□00-AM	1.7
	01					BO□□-□□-□01-F03-11		BO□□-□□-□01-AM	
	02					BO□□-□□-□02-F03-11		BO□□-□□-□02-AM	
	03					BO□□-□□-□03-F03-11		BO□□-□□-□03-AM	
	05					BO□□-□□-□05-F03-11		BO□□-□□-□05-AM	
	07					BO□□-□□-□07-F03-11		BO□□-□□-□07-AM	
BP	10			AL-S90-17	AL-D90-20	BO□□-□□-□10-F05-14		BO□□-□□-□10-AM	11.2
	13					BP□□-□□-□10-F05-14		BP□□-□□-□10-AM	9
	19	BP□□-□□-□13-F05-14				BP□□-□□-□13-AM	10		
BV	02	AL-S90-35	AL-D90-41	BP□□-□□-□19-F05-14		BP□□-□□-□19-AM	15.9		
	03			AL-S90-8	AL-D90-20	BV□□-□□-□02-F03-11		BV□□-□□-□02-AM	2
	04					BV□□-□□-□03-F03-11		BV□□-□□-□03-AM	
	05					BV□□-□□-□04-F03-11		BV□□-□□-□04-AM	
	06					BV□□-□□-□05-F03-11		BV□□-□□-□05-AM	
	10			AL-S90-17	BV□□-□□-□06-F03-11		BV□□-□□-□06-AM	4	
3-way valves									
BF	-	LX/RX	DX	AL-S180-7	AL-D180-24	BF□□-□□-□-3-F04-11		BF□□-□□-□-3-AM	3.4
BFH	-					BFH□□-□□-□-3-F04-11		BFH□□-□□-□-3-AM	5
BH	05			AL-S180-7	AL-D180-24	BH□□-□□-□05-3-F04-11		BH□□-□□-□05-3-AM	2
	07					BH□□-□□-□07-3-F04-11		BH□□-□□-□07-3-AM	
	10					BH□□-□□-□10-3-F04-11		BH□□-□□-□10-3-AM	
	13					BH□□-□□-□13-3-F04-11		BH□□-□□-□13-3-AM	
	22					BH□□-□□-□22-3-F04-11		BH□□-□□-□22-3-AM	
BO	00			AL-S180-26	AL-D180-24	BH□□-□□-□22-3-F05-17		BH□□-□□-□22-3-AM	20
	01					BO□□-□□-□00-3L-F04-11		BO□□-□□-□00-3L-AM	1.7
	02					BO□□-□□-□01-3L-F04-11		BO□□-□□-□01-3L-AM	
	03					BO□□-□□-□02-3L-F04-11		BO□□-□□-□02-3L-AM	
	05					BO□□-□□-□03-3L-F04-11		BO□□-□□-□03-3L-AM	
	07					BO□□-□□-□05-3L-F04-11		BO□□-□□-□05-3L-AM	
BP	10			AL-S180-13	AL-D180-24	BO□□-□□-□07-3L-F04-11		BO□□-□□-□07-3L-AM	
	13					BO□□-□□-□10-3L-F05-14		BO□□-□□-□10-3L-AM	11.2
	19					BP□□-□□-□10-3-F05-14		BP□□-□□-□10-3-AM	9
BV	02			AL-S180-7	AL-D180-24	BP□□-□□-□13-3-F05-14		BP□□-□□-□13-3-AM	10
	03					BV□□-□□-□02-3-F04-11		BV□□-□□-□02-3-AM	2
	04	BV□□-□□-□03-3-F04-11				BV□□-□□-□03-3-AM			
	05	BV□□-□□-□04-3-F04-11				BV□□-□□-□04-3-AM			
	06	BV□□-□□-□05-3-F04-11				BV□□-□□-□05-3-AM			
	10	BV□□-□□-□06-3-F04-11				BV□□-□□-□06-3-AM			
3-way valves									
						BV□□-□□-□10-3-F05-14		BV□□-□□-□10-3-AM	10

NOTES: ① Recommended air supply pressure of pneumatic actuator is 6 bar. If the supply pressure is lower than 6 bar, contact FITOK Group or our authorized distributors.

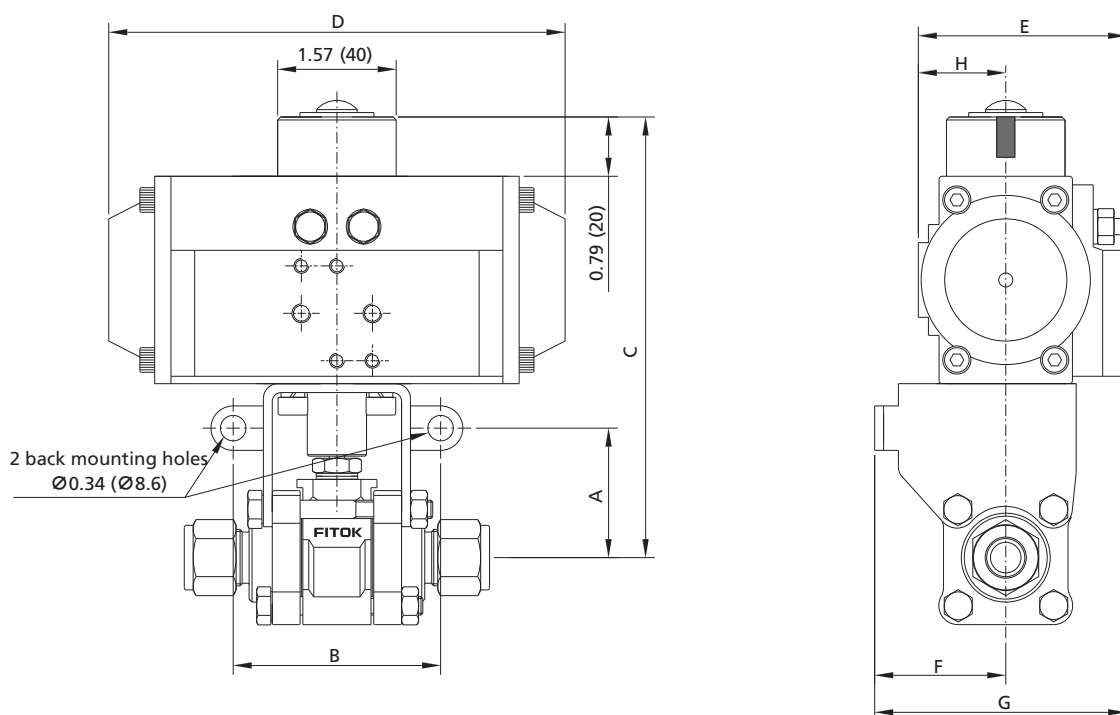
② Torque value is obtained during test with dry and clean Nitrogen or air at maximum working pressure and room temperature (if maximum working pressure is greater than 6000 psig, use water as test medium). Lower or higher temperatures, can cause increased operating torque. Different system fluids have varying viscosities, bringing about different levels of friction and affecting operating torque. Some lightweight oils may reduce operating torque. Dirty, abrasive, or highly viscous fluids may increase operating torque.

Pneumatic Actuated Ball Valve Dimensions

Dimensions in inches (mm) are for reference only and subject to change. For ball valve sizes, refer to *Ball Valves* catalog. For dimensions of special application pneumatic ball valves, please contact FITOK Group or our authorized distributors.



BF, BFH, BO, BP, BV series ball valves

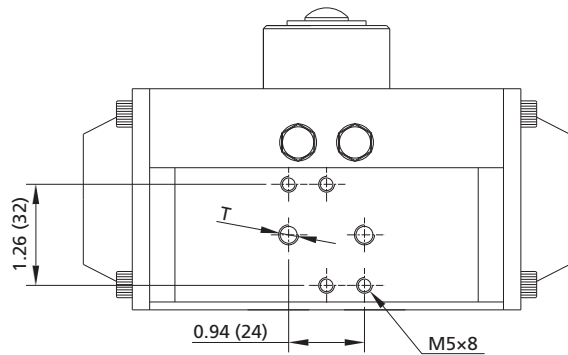


BH series ball valves

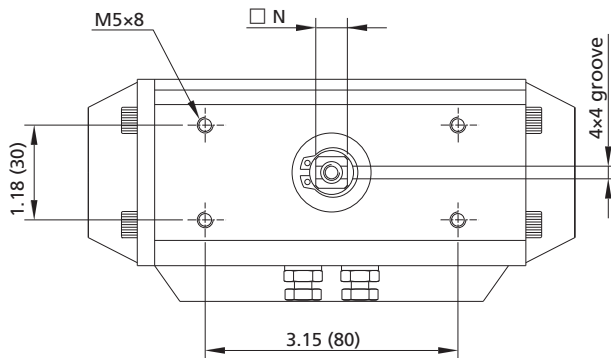
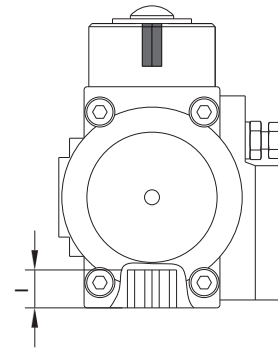
Valve Series	Diameter Code	Actuator Code	Dimensions, in. (mm)													
			A	B	C	D	E	F	G	H						
2-way valves																
BF	-	C/O	1.48	2	6.01	6.06	2.78	1.38	3.01	1.14						
BFH		D	(37.7)	(50.8)	(152.7)	(154)	(70.5)	(35)	(76.5)							
BH	05/07	C/O	1.07	3.94	5.17	6.06	2.78	1.77	3.41	1.14						
		D	(27.2)	(100)	(131.2)	(154)	(70.5)	(45)	(86.5)							
	10/13	C/O	1.71	2.76	5.85	6.06	2.78	2.01	3.64							
		D	(43.5)	(70)	(148.5)	(154)	(70.5)	(51)	(92.5)							
	22	C/O	2	3.94	7.65 (194.3)	8.27 (210)	4.04 (102.5)	2.46	4.78 (121.5)		1.71 (43.5)					
		D	(50.8)	(100)	6.47 (164.3)	6.06 (154)	2.78 (70.5)	(62.5)	4.09 (104)		1.14 (29)					
	29/32	C/O	2.41	5	8.3 (210.9)	8.27 (210)	4.04 (102.5)	2.78	5.1 (129.5)		1.71 (43.5)					
		D	(61.2)	(127)	7.87 (199.9)	7.44 (189)	3.52 (89.5)	(70.5)	4.8 (122)		1.50 (38)					
	38	C/O	2.76	5.51	8.98 (228)	9.02 (229)	4.43 (112.5)	2.95	5.45 (138.5)		1.93 (49)					
		D	(70)	(140)	8.03 (204)	7.44 (189)	3.52 (89.5)	(75)	4.98 (126.5)		1.50 (38)					
BO	00/01/ 02/03	C/O	1.13	2	5.46	6.06 (154)	2.78 (70.5)	1.18 (30)	2.81 (71.5)	1.14 (29)						
		D	(28.6)		(138.6)											
	05	C/O	1.23		5.56											
		D	(31.2)		(141.2)											
	07	C/O	1.35		5.68											
		D	(34.2)		(144.2)											
	10	C/O	1.67		2.28						6.95 (176.5)	7.44 (189)	3.52 (89.5)	1.38 (35)	3.41 (86.5)	1.50 (38)
		D	(42.5)		(58)						6.2 (157.5)	6.06 (154)	2.78 (70.5)		3.01 (76.5)	1.14 (29)
BP	10	C/O	1.61	2.60	6.89 (175)	7.44 (189)	3.52 (89.5)	1.38 (35)	3.41 (86.5)	1.50 (38)						
		D	(40.9)		6.14 (156)	6.06 (154)	2.78 (70.5)		3.01 (76.5)	1.14 (29)						
	13	C/O	1.73		7.00 (178)	7.44 (189)	3.52 (89.5)		3.41 (86.5)	1.50 (38)						
		D	(44)		6.26 (159)	6.06 (154)	2.78 (70.5)		3.01 (76.5)	1.14 (29)						
	19	C/O	1.97		8.19 (208)	9.02 (229)	4.43 (112.5)		3.88 (98.5)	1.93 (49)						
		D	(50)		7.24 (184)	7.44 (189)	3.52 (89.5)		3.41 (86.5)	1.50 (38)						
BV	02/03/04	C/O	1.12	1.69	5.45	6.06	2.78	1.18 (30)	2.81 (71.5)	1.14 (29)						
		D	(28.5)	(42.8)	(138.5)	(154)	(70.5)									
	05/06	C/O	1.27	2	5.59	6.06	2.78									
		D	(32.2)		(142.2)	(154)	(70.5)									
	10	C/O	1.69		6.97 (177)	7.44 (189)	3.52 (89.5)				1.38 (35)	3.41 (86.5)	1.50 (38)			
		D	(43)		6.22 (158)	6.06 (154)	2.78 (70.5)				1.38 (35)	3.01 (76.5)	1.14 (29)			
3-way valves																
BF	-	LX/RX	1.48		2	5.97 (151.7)	10.16 (258)	2.8 (71)	1.38	3.01 (76.5)	1.14 (29)					
BFH		DX	(37.7)	(50.8)	6.09 (154.7)	8.39 (213)	2.81 (71.5)	(35)	3.01 (76.5)	1.18 (30)						
BH	05/07	LX/RX	1.07	3.94	5.17 (130.2)	10.16 (258)	2.8 (71)	1.77 (45)	3.41 (86.5)	1.14 (29)						
		DX	(27.2)	(100)	5.17 (133.2)	8.39 (213)	2.81 (71.5)			1.18 (30)						
	10/13	LX/RX	1.71	2.76	5.85 (147.5)	10.16 (258)	2.8 (71)		2.01 (51)	3.64 (92.5)	1.14 (29)					
		DX	(43.5)	(70)	5.85 (150.5)	8.39 (213)	2.81 (71.5)			3.64 (92.5)	1.18 (30)					
	22	LX/RX	2	3.94	7.73 (196.3)	15.2 (386)	3.66 (93)		2.46 (62.5)	4.51 (114.5)	1.67 (42.5)					
		DX	(50.8)	(100)	6.55 (166.3)	8.39 (213)	2.81 (71.5)			4.09 (104)	1.18 (30)					
BO	00/01/ 02/03	LX/RX	1.13	2	5.42 (137.6)	10.16 (258)	2.8 (71)	1.18 (30)	2.81 (71.5)	1.14 (29)						
		DX	(28.6)		5.54 (140.6)	8.39 (213)	2.81 (71.5)		2.81 (71.5)	1.18 (30)						
	05	LX/RX	1.23		5.52 (140.2)	10.16 (258)	2.8 (71)		2.81 (71.5)	1.14 (29)						
		DX	(31.2)		5.64 (143.2)	8.39 (213)	2.81 (71.5)		2.81 (71.5)	1.18 (30)						
	07	LX/RX	1.35		5.64 (143.2)	10.16 (258)	2.8 (71)		2.81 (71.5)	1.14 (29)						
		DX	(34.2)		5.76 (146.2)	8.39 (213)	2.81 (71.5)		2.81 (71.5)	1.18 (30)						
	10	LX/RX	1.67		2.28	6.79 (172.5)	11.46 (291)		3.33 (84.5)	1.38 (35)	3.23 (82)	1.42 (36)				
		DX	(42.5)		(58)	6.28 (159.5)	8.39 (213)		2.81 (71.5)		3.01 (76.5)	1.18 (30)				
BP	10	LX/RX	1.61	2.60	6.73 (171)	11.46 (291)	3.33 (84.5)	1.38 (35)	3.29 (83.5)	1.42 (36)						
		DX	(40.9)		6.22 (158)	8.39 (213)	2.81 (71.5)		3.01 (76.5)	1.18 (30)						
	13	LX/RX	1.73		6.85 (174)	11.46 (291)	3.33 (84.5)		3.29 (83.5)	1.42 (36)						
		DX	(44)		6.34 (161)	8.39 (213)	2.81 (71.5)		3.01 (76.5)	1.18 (30)						
BV	02/03/04	LX/RX	1.12	1.69	5.41 (137.5)	10.16 (258)	2.8 (71)	1.18 (30)	2.81 (71.5)	1.14 (29)						
		DX	(28.5)	(42.8)	5.53 (140.5)	8.39 (213)	2.81 (71.5)		2.81 (71.5)	1.18 (30)						
	05/06	LX/RX	1.27	2	5.60 (141.2)	10.16 (258)	2.8 (71)		2.81 (71.5)	1.14 (29)						
		DX	(32.2)		5.68 (144.2)	8.39 (213)	2.81 (71.5)		2.81 (71.5)	1.18 (30)						
	10	LX/RX	1.69		6.81 (173)	11.46 (291)	3.33 (84.5)		1.38	3.23 (82)	1.42 (36)					
		DX	(43)		6.30 (160)	8.39 (213)	2.81 (71.5)		(35)	3.01 (76.5)	1.18 (30)					

Pneumatic Actuator Dimensions

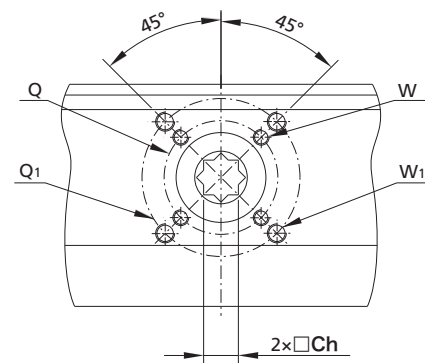
Dimensions in inches (mm) are for reference only and subject to change.
For dimensions of special application pneumatic actuator, please contact FITOK Group or our authorized distributors.



VDI/VDE 3845 (NAMUR)
(front view)



VDI/VDE 3845 (NAMUR)
(top view)



ISO 5211
(bottom view)

Actuator Code	Pneumatic Actuator Ordering Number	ISO 5211 Flange Size	Dimensions, in. (mm)							
			Ch	I	Q	Q1	W	W1	T	N
90° degree actuator										
C/O	AL-S90-8	F03/F05	0.43 (11)	0.47 (12)	1.42 (36)	1.97 (50)	M5 x7.5	M6x9	G1/4"	0.39 (10)
	AL-S90-17	F05/F07	0.55 (14)	0.63 (16)	1.97 (50)	2.76 (70)	M6x9	M8 x12	G1/4"	0.39 (10)
	AL-S90-24	F05/F07	0.55 (14)	0.63 (16)	1.97 (50)	2.76 (70)	M6x9	M8 x12	G1/4"	0.55 (14)
	AL-S90-35	F05/F07	0.67 (17)	0.75 (19)	1.97 (50)	2.76 (70)	M6x9	M8 x12	G1/4"	0.55 (14)
D	AL-D90-20	F03/F05	0.43 (11)	0.47 (12)	1.42 (36)	1.97 (50)	M5 x7.5	M6x9	G1/4"	0.39 (10)
	AL-D90-41	F05/F07	0.55 (14)	0.63 (16)	1.97 (50)	2.76 (70)	M6x9	M8 x12	G1/4"	0.39 (10)
180° degree actuator										
LX/RX	AL-S180-7	F04	0.43 (11)	0.47 (12)	1.65 (42)	-	M5x8	-	G1/8"	0.43 (11)
	AL-S180-13	F05/F07	0.43 (11)	0.47 (12)	1.97 (50)	2.76 (70)	M6x9	M8 x12	G1/8"	0.43 (11)
	AL-S180-26	F05/F07	0.67 (17)	0.75 (19)	1.97 (50)	2.76 (70)	M6x9	M8 x12	G1/8"	0.67 (17)
DX	AL-D180-24	F03/F05	0.43 (11)	0.55 (14)	1.42 (36)	1.97 (50)	M5x8	M6 x10	G1/4"	-

Electric Actuated Ball Valves

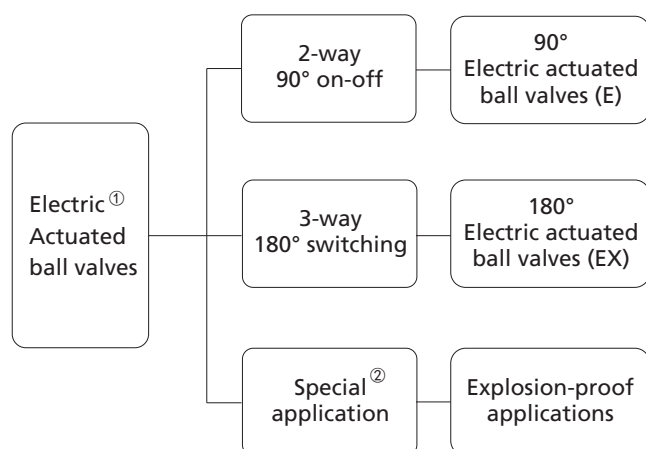
Feature

- ⦿ NPS: 1/8~2
- ⦿ Medium working pressure up to 10,000 psig (690 bar)
- ⦿ Medium temperature range: -65°F to 450°F (-54°C to 232°C)
- ⦿ Quick on-off operation
- ⦿ Power source: 24V DC
- ⦿ Top indicator shows valve status
- ⦿ Conform to industry interface standards: ISO 5211
- ⦿ Available factory assembled or in kits for field assembly
- ⦿ Output a group of passive contact signals corresponding to valve positions
- ⦿ IP67 rated and available with a variety of explosion-proof certifications



BH series 2-way electric actuated ball valve

Product Range



Note: ① The valve will stay in its current position where the actuator is de-energized. In such case, use the handle for manual operation instead.

② For special applications, please contact FITOK Group or our authorized distributors.

Electric Actuator Operating Conditions

1. Power source

- ⦿ Recommended power supply: 24V DC
- ⦿ For other supply voltage please contact FITOK Group or our authorized distributors.

2. Working temperature

- ⦿ -22°F to 140°F (-30°C to 60°C)
- ⦿ For other temperature ranges, please contact FITOK Group or our authorized distributors.

3. Action time

- ⦿ 2-way electric actuated ball valve actuator: 4 seconds
- ⦿ 3-way electric actuated ball valve actuator: 8 seconds

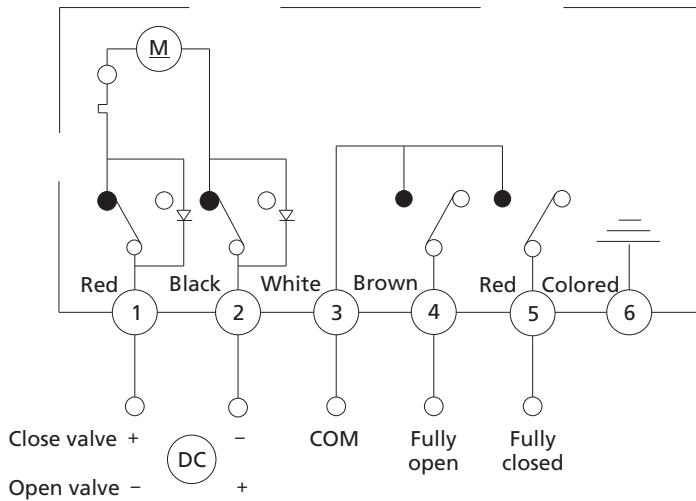
4. Lubrication

- ⦿ Factory lubricated for the life of actuator under normal working conditions

5. Installation

- ⦿ The actuator can be installed at any orientation indoors or outdoors avoiding direct sunlight or rain splash

Electric Actuator Operating Principle



- ⦿ The opening and closing operation is realized by DC switching volume output from external DC power supply and outputs a groups of passive contact signals corresponding to fully open or fully closed positions.
- ⦿ Built-in overheat protection device protects the electric actuator from overheating.

Ordering Information

⦿ Electric Actuated Ball Valve

To order, select an applicable ball valve from *Ball Valves* catalog, and based on the required valve status, determine the actuator type:
 EA for 90° electric actuated 2-way ball valve
 Example: BHSS-FL8-10-E
 EX for 180° electric actuated 3-way ball valve
 Example: BHSS-FL8-P10-EX3
 Refer to *Ball Valves* catalog for more information.

⦿ Electric Actuator

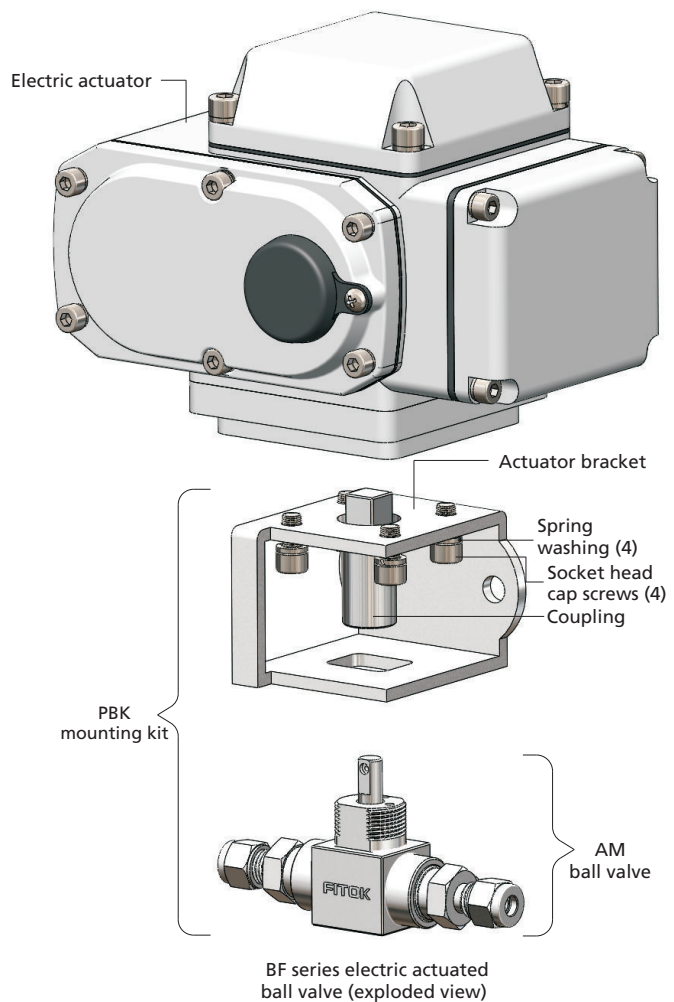
To order, select an electric actuator ordering number from **Ordering Information Table 2**, page 11.

⦿ PBK Mounting Kit

To order, select a kit ordering number from **Order Information Table 2**, page 11.
 PBK mounting kit includes actuator bracket, coupling, AM ball valve, fastener and installation instructions.

⦿ AM Ball Valve

To order, add a suffix -AM to the applicable ball valve ordering number.
 Example: BHSS-FL8-10-AM.
 Refer to the **Ordering Information Table 2** on page 11 for additional information.



Note: The actuator assembly must be properly aligned and supported. Improper alignment of the actuator assembly and improper support may cause leakage or premature valve failure.

Ordering Information Table 2

Valve Series	Diameter Code	Actuator Code	Pneumatic Actuator Ordering Number ^①	PBK Mounting Kit Ordering Number	AM Ball Valve Ordering Number	Maximum ^② Torque (N·m)		
2-way valves								
BF	-	E	EA-10G-11 ^③ /EA-20G-11	BF□□-□□-□-F05-11	BF□□-□□-□-AM	3.4		
BFH	-			BFH□□-□□-□-F05-11	BFH□□-□□-□-AM	5		
BH	05			BH□□-□□-□05-F03-11	BH□□-□□-□05-AM	2		
	07			BH□□-□□-□07-F03-11	BH□□-□□-□07-AM			
	10			BH□□-□□-□10-F03-11	BH□□-□□-□10-AM			
	13			BH□□-□□-□13-F03-11	BH□□-□□-□13-AM	7.5		
	22			BH□□-□□-□22-F05-14	BH□□-□□-□22-AM			
	29			BH□□-□□-□29-F07-14	BH□□-□□-□29-AM			
BO	32			BH□□-□□-□32-F07-14	BH□□-□□-□32-AM	30		
	38			BH□□-□□-□38-F07-14	BH□□-□□-□38-AM			
	00			BO□□-□□-□00-F03-11	BO□□-□□-□00-AM		1.7	
	01			BO□□-□□-□01-F03-11	BO□□-□□-□01-AM			
02	BO□□-□□-□02-F03-11		BO□□-□□-□02-AM					
03	BO□□-□□-□03-F03-11		BO□□-□□-□03-AM					
BP	05		BO□□-□□-□05-F03-11	BO□□-□□-□05-AM				
	07		BO□□-□□-□07-F03-11	BO□□-□□-□07-AM				
	10		BO□□-□□-□10-F05-11	BO□□-□□-□10-AM				
	10		BP□□-□□-□10-F05-11	BP□□-□□-□10-AM	9			
BV	13		BP□□-□□-□13-F05-11	BP□□-□□-□13-AM	10			
	19		EA-50G-14	BP□□-□□-□19-F05-14	BP□□-□□-□19-AM	15.9		
	02		EA-10G-11 ^③ /EA-20G-11	BV□□-□□-□02-F03-11	BV□□-□□-□02-AM	2		
03	BV□□-□□-□03-F03-11			BV□□-□□-□03-AM				
04	BV□□-□□-□04-F03-11			BV□□-□□-□04-AM				
05	BV□□-□□-□05-F03-11			BV□□-□□-□05-AM	4			
06	BV□□-□□-□06-F03-11	BV□□-□□-□06-AM						
10	BV□□-□□-□10-F05-11	BV□□-□□-□10-AM		10				
3-way valves								
BF	-	EX	EX-10G-11 ^③ /EX-20G-11	BF□□-□□-□-3-F05-11	BF□□-□□-□-3-AM	3.4		
BFH	-			BFH□□-□□-□-3-F05-11	BFH□□-□□-□-3-AM	5		
BH	05			BH□□-□□-□05-3-F03-11	BH□□-□□-□05-3-AM	2		
	07			BH□□-□□-□07-3-F03-11	BH□□-□□-□07-3-AM			
	10			BH□□-□□-□10-3-F03-11	BH□□-□□-□10-3-AM			
	13			BH□□-□□-□13-3-F03-11	BH□□-□□-□13-3-AM	7.5		
	22			EX-50G-14	BH□□-□□-□22-3-F05-14		BH□□-□□-□22-3-AM	20
	BO			00	BO□□-□□-□00-3L-F03-11		BO□□-□□-□00-3L-AM	1.7
01				BO□□-□□-□01-3L-F03-11	BO□□-□□-□01-3L-AM			
02				BO□□-□□-□02-3L-F03-11	BO□□-□□-□02-3L-AM			
03				BO□□-□□-□03-3L-F03-11	BO□□-□□-□03-3L-AM			
05				BO□□-□□-□05-3L-F03-11	BO□□-□□-□05-3L-AM			
07			BO□□-□□-□07-3L-F03-11	BO□□-□□-□07-3L-AM				
BP	10		BO□□-□□-□10-3L-F05-11	BO□□-□□-□10-3L-AM	11.2			
	10		BP□□-□□-□10-3-F05-11	BP□□-□□-□10-3-AM	9			
	13		BP□□-□□-□13-3-F05-11	BP□□-□□-□13-3-AM	10			
	BV		02	BV□□-□□-□02-3-F03-11	BV□□-□□-□02-3-AM	2		
03			BV□□-□□-□03-3-F03-11	BV□□-□□-□03-3-AM				
04			BV□□-□□-□04-3-F03-11	BV□□-□□-□04-3-AM				
05			BV□□-□□-□05-3-F03-11	BV□□-□□-□05-3-AM	4			
06			BV□□-□□-□06-3-F03-11	BV□□-□□-□06-3-AM				
10			BV□□-□□-□10-3-F05-11	BV□□-□□-□10-3-AM		10		

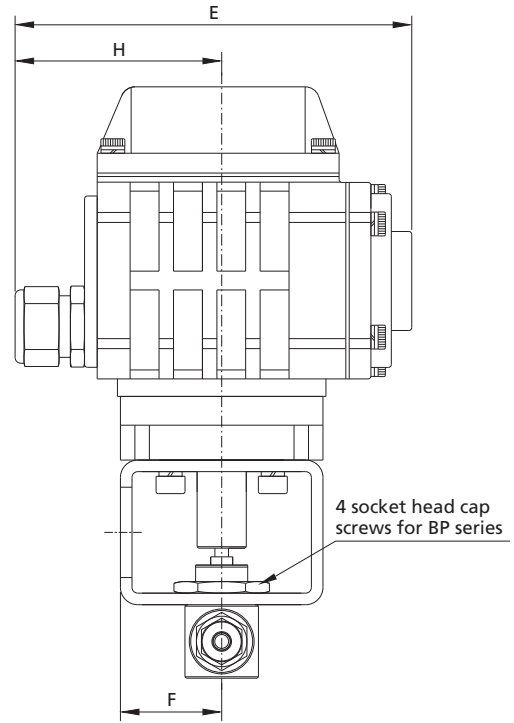
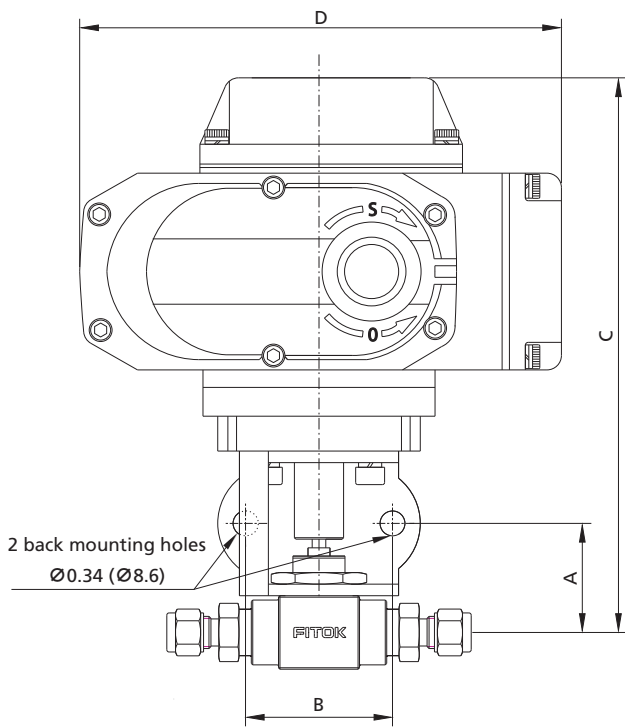
NOTES: ① The power supply voltage of the electric actuator is 24V DC.

② Torque value is obtained during test with dry and clean Nitrogen or air at maximum working pressure and room temperature (if maximum working pressure is greater than 6000 psig, use water as test medium). Lower or higher temperatures, can cause increased operating torque. Different system fluids have varying viscosities, bringing about different levels of friction and affecting operating torque. Some lightweight oils may reduce operating torque. Dirty, abrasive, or highly viscous fluids may increase operating torque.

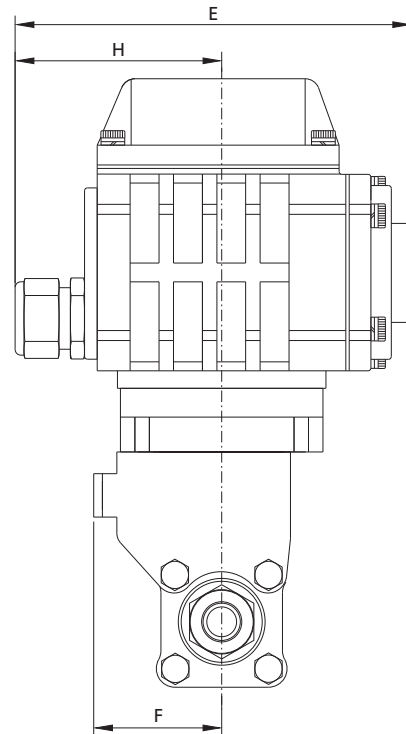
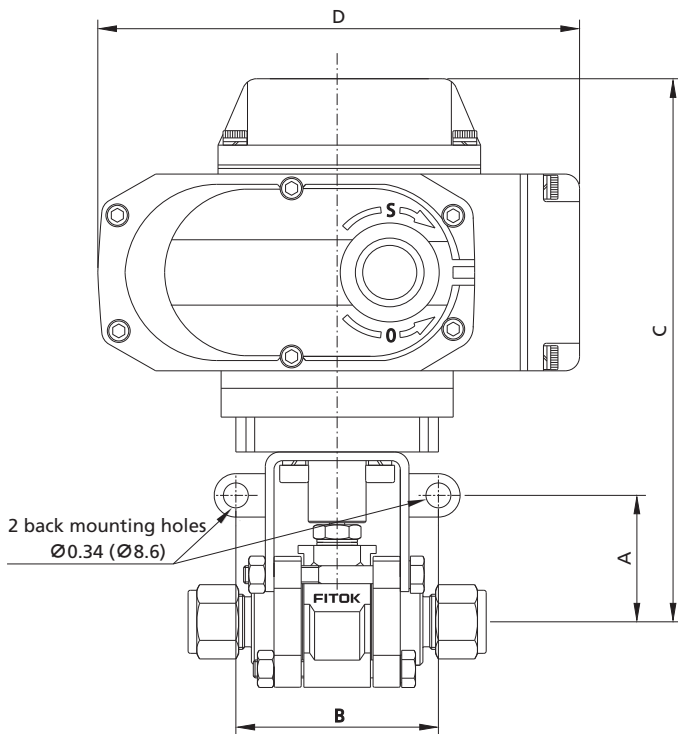
③ Different seat materials for ball valves will result in different operating torques. For specific part number selection, please contact FITOK group or our authorized distributors.

Electric Actuated Ball Valve Dimensions

Dimensions in inches (mm) are for reference only and subject to change.
 For ball valve sizes, refer to *Ball Valves* catalog.



BF, BFH, BO, BP, BV series ball valves

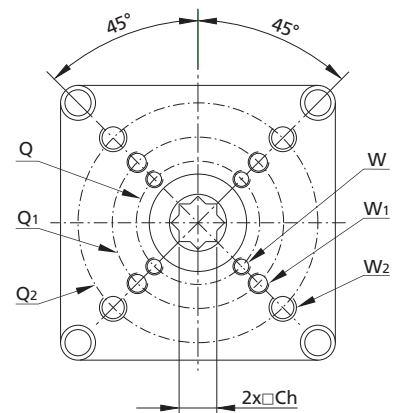
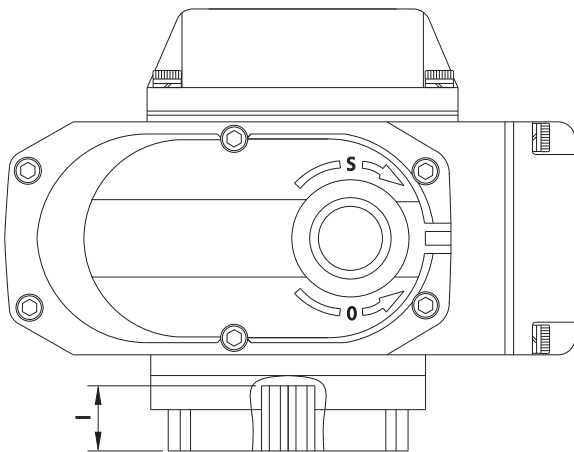


BH series ball valves

Valve Series	Diameter Code	Actuator Code	Dimensions, in. (mm)									
			A	B	C	D	E	F	H			
2-way valves												
BF	-	E	1.48 (37.7)	2.00 (50.8)	7.55 (191.7)	6.56 (166.5)	5.43 (138)	1.38 (35)	2.87 (73)			
BFH	-		1.07(27.2)	3.94(100)	6.70(170.2)			1.77(45)				
BH	05/07		1.71(43.5)	2.76(70)	7.38(187.5)			2.01(51)				
	10/13		2.00(50.8)	3.94(100)	8.00(234.8)	7.68 (195)	5.67 (144)	2.46(62.5)	2.83 (72)			
	22		2.41(61.2)	5.00(127)	9.90(251.8)			2.78(70.5)				
	29/32		2.76(70)	5.51(140)	10.06(255.5)			2.95(75)				
BO	00/01/02/03		1.13(28.6)	2.00 (50.8)	6.99(177.6)	6.56 (166.5)	5.43 (138)	1.18 (30)	2.87 (73)			
	05		1.23(31.2)		7.09(180.2)							
	07		1.35(34.2)		7.21(183.2)							
	BP		10	1.67(42.5)	2.28(58)			7.74(196.5)		7.68(195)	5.67(144)	1.38 (35)
13			1.61(40.9)	2.60 (66)	7.68(195)							
19			1.73(44)		7.80(198)							
10			1.97(50)		9.27(235.5)			2.83(72.0)				
BV	02/03/04		1.12(28.5)	1.69(42.8)	6.99(177.5)			6.56 (166.5)		5.43 (138)	1.18 (30)	2.87 (73)
	05/06		1.27(32.2)	2	7.13(181.2)							
	10	1.69(43)	(50.8)	7.76(197)	1.38(35)							
3-way valves												
BF	-	EX	1.48 (37.7)	2.00 (50.8)	7.55 (191.7)			6.56 (166.5)		5.43 (138)	1.38 (35)	2.87 (73)
BFH	-		1.07(27.2)	3.94(100)	6.70(170.2)						1.77(45)	
BH	05/07		1.71(43.5)	2.76(70)	7.38(187.5)						2.01(51)	
	10/13		2.00(50.8)	3.94(100)	8.00(234.8)			7.68(195)		5.67(144)	2.46(62.5)	2.83(72)
	22		1.13(28.6)	2.00 (50.8)	6.99(177.6)	6.56 (166.5)	5.43 (138)	1.18 (30)				
BO	00/01/02/03		1.23(31.2)		7.09(180.2)							
	05		1.35(34.2)		7.21(183.2)							
	07		1.67(42.5)	2.28(58)	7.74(196.5)							
	10		1.61(40.9)	2.60 (66)	7.68(195)			7.68(195)	5.67(144)	1.38 (35)		
BP	13		1.73(44.0)		7.80(198)							
	10		1.12(28.5)		1.69(42.8)						6.99(177.5)	
	13		1.73(44.0)	2.00	7.13(181.2)							
BV	02/03/04		1.12(28.5)	1.69(42.8)	6.99(177.5)			6.56 (166.5)	5.43 (138)	1.18 (30)	2.87 (73)	
	05/06		1.27(32.2)	2.00	7.13(181.2)							
	10		1.69(43)	(50.8)	7.76(197)							1.38(35)

Electric Actuator Dimensions and Technical Parameters

Dimensions in inches (mm) are for reference only and subject to change.



ISO 5211
(bottom view)

Actuator Code	Electric Actuator Ordering Number	ISO 5211 Flange Size	Dimensions, in. (mm)								Technical Parameters	
			I	Ch	Q	Q1	Q2	W	W1	Q2	Voltage	Rated Current
90° degree actuator												
E	EA-10G-11	F03/F05/F07	0.75 (19)	0.43 (11)	1.42 (36)	1.97 (50)	2.76 (70)	M5	M6	M8	DC 24V	1.77A
	EA-20G-11	F03/F05/F07	0.75 (19)	0.43 (11)	1.42 (36)	1.97 (50)	2.76 (70)	M5	M6	M8	DC 24V	2.16A
	EA-50G-14	F05/F07	1.26 (32)	0.55 (14)	-	1.97 (50)	2.76 (70)	-	M6	M8	DC 24V	2.16A
180° degree actuator												
EX	EX-10G-11	F03/F05/F07	0.75 (19)	0.43 (11)	1.42 (36)	1.97 (50)	2.76 (70)	M5	M6	M8	DC 24V	1.77A
	EX-20G-11	F03/F05/F07	0.75 (19)	0.43 (11)	1.42 (36)	1.97 (50)	2.76 (70)	M5	M6	M8	DC 24V	2.16A
	EX-50G-14	F05/F07	1.26 (32)	0.55 (14)	-	1.97 (50)	2.76 (70)	-	M6	M8	DC 24V	2.16A

Accessories

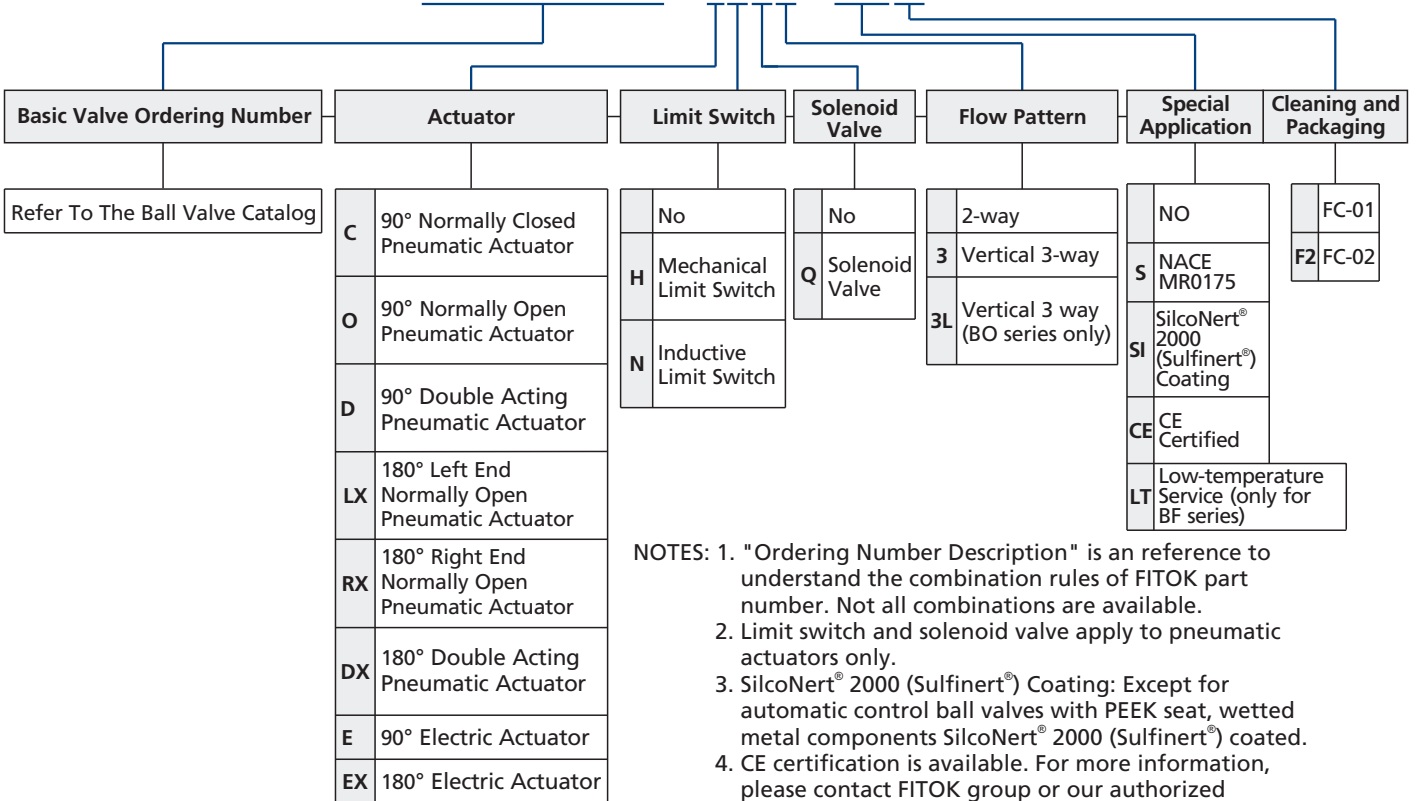
The electric actuator is driven by a power source without using a solenoid valve. Electric actuators have a signal output without using limit switches.

Explosion-proof Applications

For explosion-proof electric actuators, contact FITOK Group or our authorized distributors.

Ordering Number Description

BHSS – FL8 – 10 – CHQ3 – SCEF2



Application Questionnaire for Selection of Automatic Control Ball Valves

Single Selection Checkable

NO.	Category	Specification	
1	Operating conditions	Media	
2		Working pressure	_____ psig (_____ bar)
3		Working temperature	_____ °F (_____ °C)
4	Ball valve parameters	Body material	<input type="radio"/> 316SS <input type="radio"/> 304SS <input type="radio"/> Other _____
5		Seat material	<input type="radio"/> PTFE <input type="radio"/> PEEK <input type="radio"/> PCTFE <input type="radio"/> PVDF <input type="radio"/> Other _____
6		Orifice	_____ in. (_____ mm)
7		Flow pattern	<input type="radio"/> 2-way <input type="radio"/> Vertical 3-way <input type="radio"/> Other _____
8		Inlet/Outlet type and size	Inlet _____ Outlet _____
9	Actuator parameters	Actuator type	<input type="radio"/> Pneumatic actuator Air supply pressure _____ psig (_____ bar) Failure position <input type="radio"/> Stay in the current position <input type="radio"/> Other _____
			<input type="radio"/> Electric actuator Power <input type="radio"/> DC 24V <input type="radio"/> AC 220V
10	Pneumatic actuator accessories	Limit switch type	<input type="checkbox"/> Mechanical limit switch <input type="checkbox"/> Inductive limit switch
11		Solenoid valve	<input type="checkbox"/> Solenoid valve
12	Other requirements	<input type="checkbox"/> F2 <input type="checkbox"/> FOG <input type="checkbox"/> NACE <input type="checkbox"/> CE <input type="checkbox"/> SI <input type="checkbox"/> Other _____	
13	Additional information		

info@fitokgroup.com
www.fitokgroup.com

C-C-ACV-V2207-EN